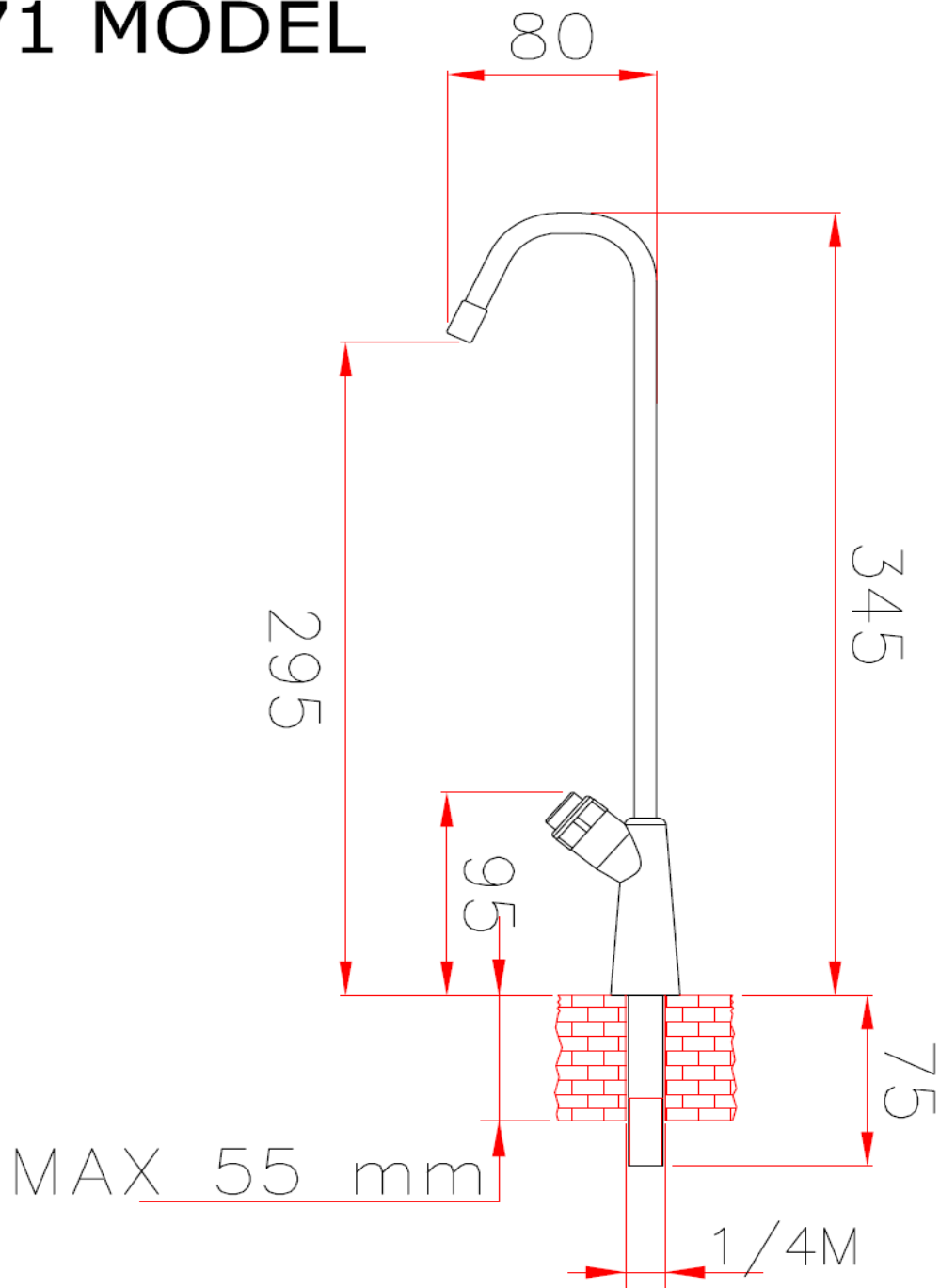


G71 MODEL



drawing in mm

NOTE

Description : **G 71** (1 Way tap with button)

Codice : **099150** Kit G71 for H2OMY F (supplied con 2 meters pipe Ø6)

Tap weight : 0,6 Kg

Hole for installation : diametro 14 mm

Max base thickness : 55 mm

Pack dimension : 35 x 35 x 9 cm

OPTIONAL

Rubineti.xls

G 71